

147-996-190 GT-1855 (1987)
Body Assembly

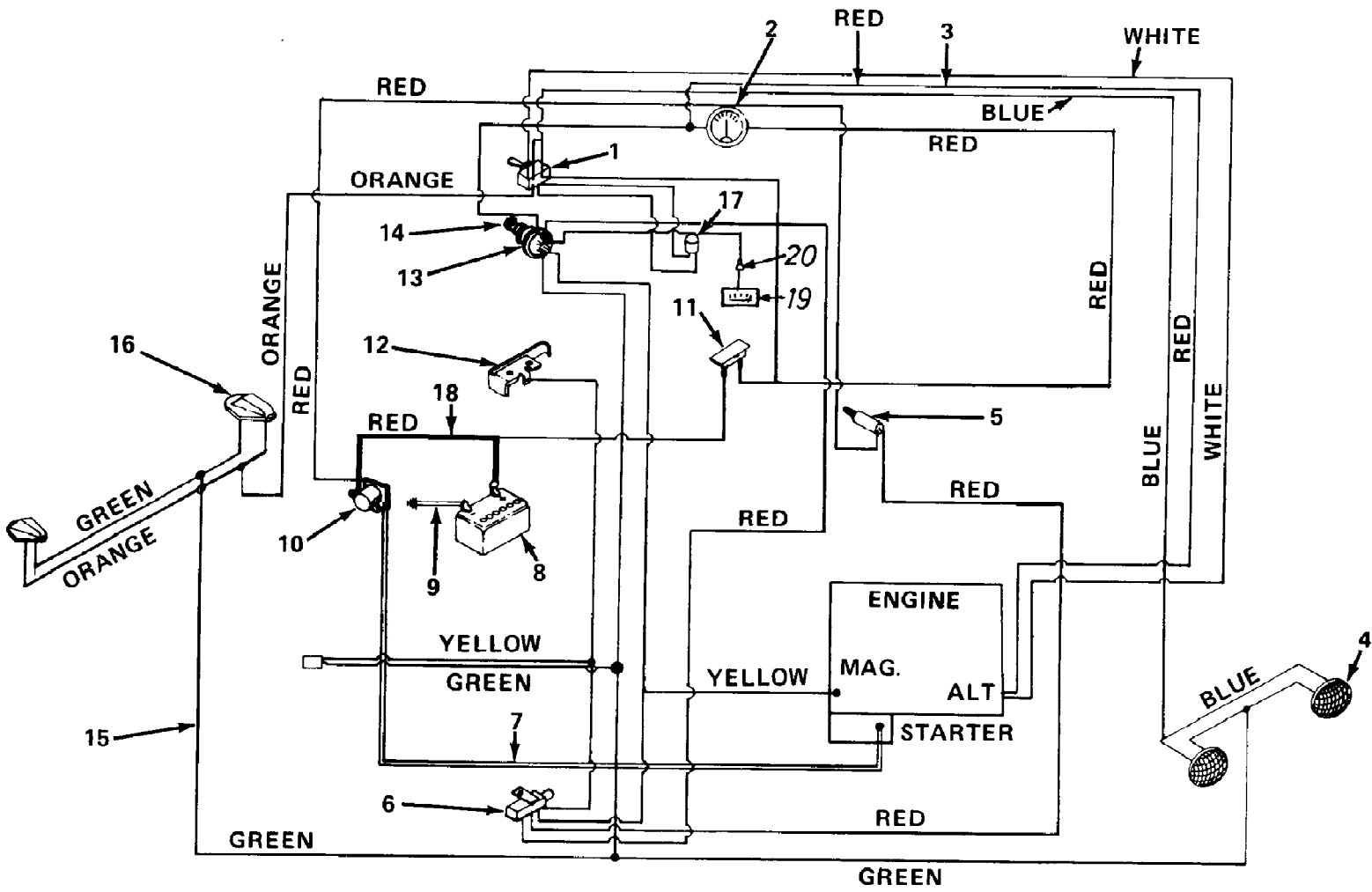
Page 2 of 25

| Ref # | Part Number | Qty | S/P/F | Description |
|-------|-------------|-----|-------|---|
| 1 | 757-0318 | 1 | S | Seat Ass'y. Comp. |
| 2 | 14225 | 1 | | Seat Support Brkt. |
| 4 | 710-0623 | 1 | /P | Hex Wash. Hd. Self-Tap Scr. 3/8-16 x .75" Lg. |
| 5 | 13123 | 1 | S | Seat Spring |
| 6 | 13214 | 1 | | Seat Support Plate |
| 7 | 736-0119 | 1 | S | L-Wash. 5/16" I.D. |
| 8 | 712-0267 | 1 | S | Hex Nut 5/16-18 Thd. |
| 9 | 710-0689 | 1 | /P | Nylon Scr. 1/2-13 x .75" Lg. |
| 10 | 736-0160 | 1 | S | FI-Wash. .531 I.D. x .930 O.D. |
| 11 | 712-0384 | 1 | S | Hex Cent. L-Nut 1/2-13 Thd. |
| 12 | 710-0118 | 1 | S | Hex Scr. 5/16-18 x .75" Lg. |
| 13 | 710-0697 | 1 | /P | Self-Tap Oval Hd. Scr. 1/2" Lg . |
| 14 | 731-0568 | 1 | | Dash Panel Cover |
| 15 | 13772 | 1 | | Hood Ass'y. |
| 16 | 747-0231 | 1 | | Hinge Rod |
| 17 | 13581 | 1 | | Hood Hinge Ass'y. |
| 18 | 736-0329 | 1 | S | L-Wash. 1/4" Scr. |
| 19 | 712-0287 | 1 | S | Hex Nut 1/4-20 Thd. |
| 20 | 13106 | 1 | | Rear Fender |
| 21 | 710-0721 | 1 | | FI-Hd. Truss Scr. #10 x .62" Lg. |
| 22 | 746-0342 | 1 | | Throttle Control |
| 23 | 725-0119 | 1 | S | Ammeter |
| 24 | 735-0199 | 1 | S | Rubber Bumper |
| 25 | 746-0343 | 1 | | Choke Control |
| 26 | 725-0670 | 1 | | Light Switch |
| 27 | 731-0463 | 1 | | Dash Panel |
| 28 | 710-0258 | 1 | S | Hex Scr. 1/4-20 x .62" Lg. |
| | 13689 | 1 | | Hood Support Brkt. Ass'y. R. H. |
| 33 | 736-0211 | 1 | S | FI-Wash. .250 I.D. x 1.25 O.D. |
| 35 | | 1 | | UNKNOWN |
| | 710-0294 | 1 | | Hex Scr. 1/4-20 x .38" Lg. |
| 40 | 722-0136 | 1 | | Foam Strip |
| 41 | 13724 | 1 | | Heat Shield Brkt. |
| 44 | 725-0222 | 1 | S | Head Lamp |
| 48 | 13569 | 1 | | Heat Shield |
| | 710-0286 | 1 | /P | Truss Mach. Scr. 1/4-20 x .75" Lg. |
| 51 | 13725 | 1 | | Grille Strap |
| 52 | 725-0267 | 1 | S | Ignition Switch |
| 53 | 725-0201 | 1 | S | Ignition Key |
| 55 | 13200 | 1 | | Grille |
| 56 | 710-0252 | 1 | /P | Hex Scr. 1/4-20 x .75" Lg. |
| 57 | 731-0881 | 1 | | Grille Screen |
| 58 | 726-0169 | 1 | | Clip-On Receptacle |
| 62 | 13528 | 1 | S | Speed Control Guide |
| 63 | 710-0255 | 1 | S | Truss Mach. Scr. 1/4-20 x .75" Lg. |
| 64 | 13509 | 1 | | Frame Ass'y. |
| 65 | 736-0242 | 1 | /P | Bell-Wash. 5/16" Scr.* |
| 66 | 723-0337 | 1 | | Moulding |
| 67 | 731-0465 | 1 | | Headlight Bezel |
| 68 | 09960 | 1 | | Headlight Retainer |
| 69 | 726-0167 | 1 | | 1/4-Turn Stud |
| 70 | 13525 | 1 | | Hood Lower Side Panel |
| 71 | 13576 | 1 | | Panel Ass'y. R.H. |

147-996-190 GT-1855 (1987)
Body Assembly

Page 3 of 25

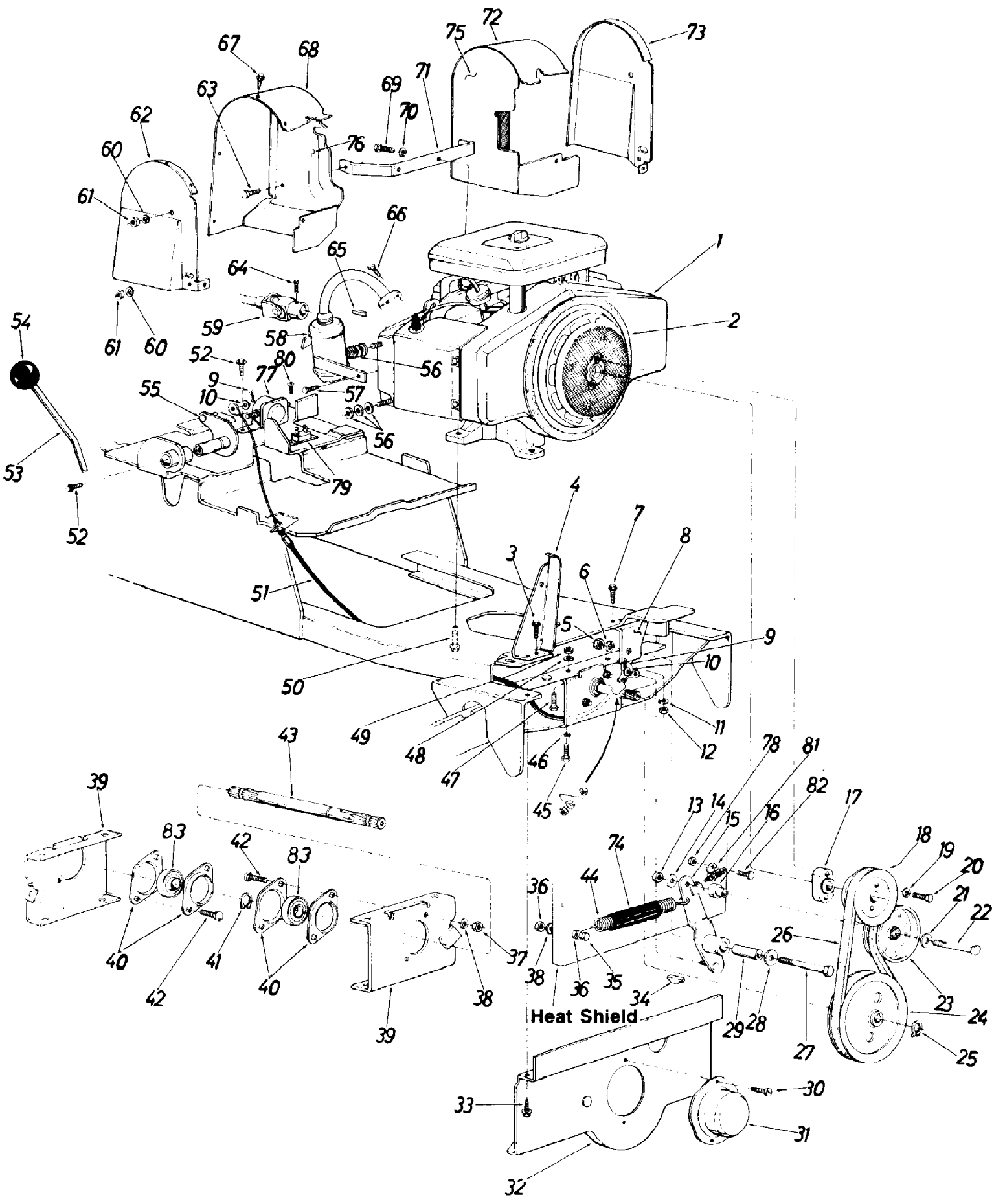
| Ref # | Part Number | Qty | S/P/F | Description |
|-------|-------------|-----|-------|--|
| | 13577 | 1 | | Foot Step Panel Ass'y. L.H. (Not Shown) |
| 72 | 710-0253 | 1 | S | Hex Scr. 3/8-16 x 1.00" Lg. Grade 5 |
| 73 | 736-0117 | 1 | S | Fl-Wash. .385 I.D. x .62 O.D. |
| 74 | 710-0194 | 1 | /P | Hex Bolt 3/8-16 x 3.00" Lg. |
| 75 | 710-0253 | 1 | S | Hex Bolt 3/8-16 x 1.00" Lg. Grade 5 |
| 78 | 736-0169 | 1 | S | L-Wash. 3/8" I.D. |
| 79 | 712-0798 | 1 | /P | Hex Nut 3/8-16 Thd. |
| 80 | 750-0261 | 1 | | Spacer .375 I.D. x .62 O.D. x 2.00" Lg. |
| 81 | 710-0467 | 1 | | Truss Mach. Scr. #10-24 x 1.0" Lg. |
| 82 | 712-0425 | 1 | S | Sq. Nut #10-24 Thd. |
| 83 | 736-0147 | 1 | S | Ext. L-Wash. #10 I.D. |
| 84 | 13066 | 1 | | Transaxle Support Brkt. |
| 85 | 710-0617 | 1 | | Rd. Hd. Rib Neck Scr. 3/8-24 |
| 86 | 736-0217 | 1 | S | L-Wash. 3/8" Scr. |
| 87 | 712-0241 | 1 | /P | Hex Nut 3/8-24 Thd. |
| 88 | 710-0167 | 1 | /P | Carr. Bolt 1/4-20 x .50" Lg. |
| 89 | 710-0260 | 1 | S | Carr. Bolt 5/16-18 x .62" Lg. |
| 90 | 731-0405 | 1 | | Snap Bushing |
| 91 | 710-0618 | 1 | | Fl-Hd. Self-Tap Scr. 1/4-20 x .62" Lg. |
| 92 | 13529 | 1 | | Transmission Cover |
| 95 | 710-0601 | 1 | S | Hex Wash. Hd. Self-Tap Scr. 5/16-24 x .75" Lg. |
| 96 | 13124 | 1 | | Seat Adjustment Brkt. |
| 97 | 13536 | 1 | | Dash Panel Mtg. Brkt. |
| 99 | 726-0168 | 1 | | Retainer |
| 100 | 710-0599 | 1 | /P | Thread Rolling Scr. 1/4" |
| 101 | 728-0148 | 1 | | Drive Scr. #7 |
| 102 | 710-0535 | 1 | S | Fl. C-Sunk AB-Tap Scr. #10 x 1.0" Lg. |
| 103 | 725-0612 | 1 | S | Taillight |



147-996-190 GT-1855 (1987)
Electrical System

Page 5 of 25

| Ref # | Part Number | Qty | S/P/F | Description |
|-------|-------------|-----|-------|----------------------|
| 1 | 725-0670 | 1 | | Light Switch |
| 2 | 725-0119 | 1 | S | Ammeter |
| 3 | 725-1176 | 1 | | Wire Harness |
| 4 | 725-0222 | 1 | S | Headlight |
| 5 | 725-0577 | 1 | | Safety Switch Clutch |
| 6 | 725-0842 | 1 | | Safety Switch PTO |
| 7 | 725-0562 | 1 | S | Electric Wire |
| 8 | 725-0453 | 1 | S | Battery 12 V. |
| 9 | 725-0561 | 1 | S | Electric Wire |
| 10 | 725-0771 | 1 | S | Solenoid |
| 11 | 725-0459 | 1 | S | Circuit Breaker |
| 12 | 725-0758 | 1 | S | Spring Switch |
| 13 | 725-0267 | 1 | S | Ignition Switch |
| 14 | 725-0201 | 1 | S | Ignition Key |
| 15 | 725-0616 | 1 | | Tail Light Lead |
| 16 | 725-0612 | 1 | S | Tail Light |
| 17 | 725-0669 | 1 | | Flasher |
| 18 | 725-0558 | 1 | | Electric Wire |
| 19 | 725-0568 | 1 | S | Hour Meter |
| 20 | 725-0569 | 1 | | Hour Meter Lead |



147-996-190 GT-1855 (1987)
Engine Mounting Assembly

Page 7 of 25

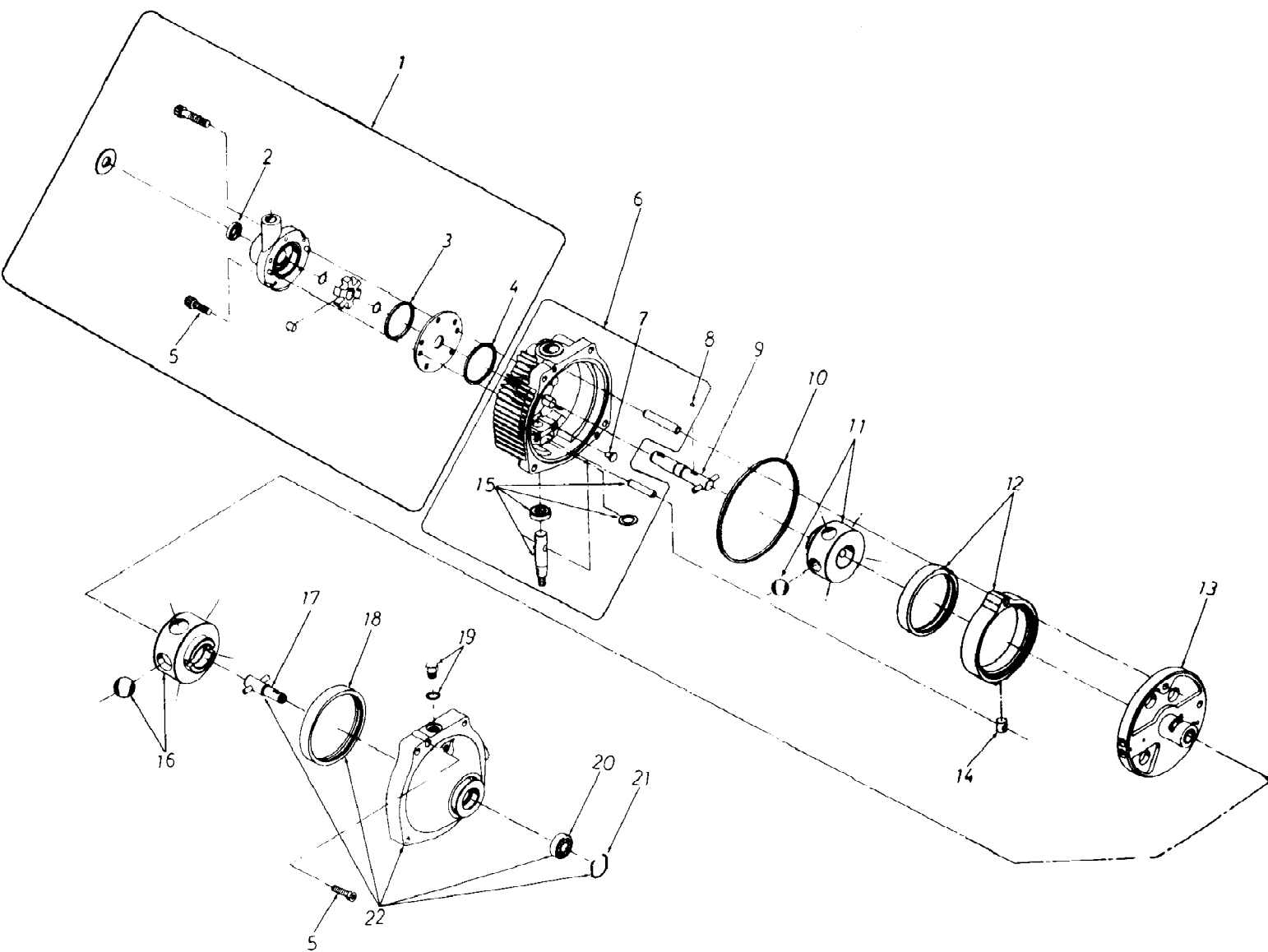
| Ref # | Part Number | Qty | S/P/F | Description |
|-------|-------------|-----|-------|--|
| 1 | | 1 | | Engine |
| 2 | 722-0148 | 1 | | Mylar Foam Strip |
| 3 | 710-0642 | 1 | /P | Hex Wash. Hd. Self-Tap Scr. 1/4-20 x .75" Lg. |
| 4 | 13590 | 1 | | Belt Guard |
| 5 | 712-0798 | 1 | /P | Hex Nut 3/8-16 Thd. |
| 6 | 736-0169 | 1 | S | L-Wash. 3/8" Scr. |
| 7 | 710-0601 | 1 | S | Hex Wash. Hd. Self-Tap Scr. 5/16-18 x .75" Lg. |
| 8 | 13554 | 1 | | PTO Support Brkt. |
| 9 | 714-0101 | 1 | S | Hairpin Cotter 1/2" Dia. |
| 10 | 736-0133 | 1 | S | FI-Wash. .38" I.D. x 1.25" O.D. x .10 Thk. |
| 11 | 736-0169 | 1 | S | L-Wash. 3/8" Scr. |
| 12 | 712-0798 | 1 | /P | Hex Nut 3/8-16 Thd. |
| 13 | 712-0798 | 1 | /P | Hex Nut 3/8-16 Thd. |
| 14 | 736-0133 | 1 | S | FI-Wash. .38" I.D. x 1.25" O.D. x .10 Thk. |
| 15 | 13550 | 1 | S | PTO Idler Ass'y. |
| 16 | 711-0598 | 1 | | Idler Adapter |
| 17 | 748-0271 | 1 | | Pulley Spacer |
| 18 | 756-0312 | 1 | | 1/2" V-Pulley 4.75" O.D. (Engine) |
| 19 | 736-0217 | 1 | S | L-Wash. 3/8" Scr. H.D. |
| 20 | 710-0427 | 1 | S | Hex Scr. 3/8-16 x 2.00" Lg |
| 21 | 736-0133 | 1 | S | FI-Wash. .38" I.D. x 1.25" O.D. x .010 Thk. |
| 22 | 710-0937 | 1 | S | Hex Scr. 3/8-16 x 2.50" Lg.* |
| 23 | 711-0306 | 1 | /P | Flat Idler Pulley |
| 24 | 756-0309 | 1 | | 1/2" V-Pulley 7.00" O.D. (PTO) |
| 25 | 716-0127 | 1 | /P | Snap Ring |
| 26 | 754-0234 | 1 | S | "V"-Belt 1/2" X 41" Lg. (PTO) |
| 27 | 710-0937 | 1 | S | Hex Scr. 3/8-16 x 2.50" Lg. |
| 28 | 736-0133 | 1 | S | FI-Wash. .38" I.D. x 1.25" O.D. x .010 |
| 29 | 750-0374 | 1 | | Spacer .375" I.D. x .62" O.D. x 1.830 Lg. |
| 30 | 710-0224 | 1 | S | Hex "B" Tap Scr. #10 x .50" Lg. |
| 31 | 13546 | 1 | S | PTO Cup |
| 32 | 13542 | 1 | S | PTO Belt Guard Ass'y. |
| 33 | 710-0601 | 1 | S | Hex Wash. Self-Tap Scr. 5/16-18 x .75 |
| 34 | 714-0154 | 1 | | #91 Hi-Pro Key |
| 35 | 710-0528 | 1 | /P | Hex Scr. 5/16-18 x 1.25" Lg. |
| 36 | 712-0267 | 1 | S | Hex Nut 5/16-18 Thd. |
| 37 | 712-0267 | 1 | S | Hex Nut 5/16-18 Thd. |
| 38 | 736-0119 | 1 | S | L-Wash. 5/16" Scr. |
| 39 | 13553 | 1 | | PTO Brg. Retainer Brkt. |
| 40 | 741-0242 | 1 | /P | 1.00" Dia. Brg. w/Flangette |
| 41 | 716-0127 | 1 | /P | Snap Ring |
| 42 | 710-0451 | 1 | /P | Carr. Bolt 5/16-18 x .75" Lg. |
| 43 | 738-0395 | 1 | | Spline Shaft |
| 44 | 732-0262 | 1 | S | Extension Spring (PTO Clutch) |
| 45 | 710-0253 | 1 | S | Hex Scr. 3/8-16 x 1.00" Lg. |
| 46 | 736-0169 | 1 | S | L-Wash. 3/8" Scr. |
| 47 | 710-0253 | 1 | S | Hex Scr. 3/8-16 x 1.00" Lg. |
| 48 | 736-0169 | 1 | S | L-Wash. 3/8" Scr. |
| 49 | 712-0798 | 1 | /P | Hex Nut 3/8-16 Thd. |
| 50 | 710-0502 | 1 | S | Hex Wash. Hd. Self-Tap Scr. 3/8-16 x 1.25" Lg. |

147-996-190 GT-1855 (1987)
Engine Mounting Assembly

Page 8 of 25

| Ref # | Part Number | Qty | S/P/F | Description |
|-------|-------------|-----|-------|---|
| 51 | 746-0341 | 1 | S | PTO Control Cable |
| 52 | 710-0599 | 1 | /P | Hex Wash. Hd. Self-Tap Scr. 1/4-20 x .50" |
| 53 | 747-0211 | 1 | | PTO Handle |
| 54 | 720-0175 | 1 | S | Ball Knob |
| 55 | 13587 | 1 | | PTO Actuator Lever Ass'y. |
| 56 | 736-0288 | 1 | | FI-Wash. .312" I.D. x 1.620" O.D. x .060 |
| 57 | 710-0599 | 1 | /P | Hex Wash. Hd. Self-Tap Scr. 1/4-20 x .50" Lg. |
| 58 | 751-0242 | 1 | | Muffler Ass'y. Comp. R.H. |
| 59 | 717-0402 | 1 | | Universal Joint Ass'y. Comp. |
| 60 | 736-0264 | 1 | S | FI-Wash. .312" I.D. x 630n O.D. x .063 |
| 61 | 712-0267 | 1 | S | Hex Nut 5/16-18 Thd. |
| 62 | 13722 | 1 | | Shroud Outer R.H. |
| 63 | 710-0599 | 1 | /P | Hex Wash. Hd. Self-Tap Scr. 1/4-20 x .50" Lg. |
| 64 | 710-0666 | 1 | | Sq. Hd. Set Scr. 5/16-18 x .38" Lg. (Cup Point) |
| 65 | 714-0114 | 1 | S | Sq. Key 1/4" x 2.00" Lg. |
| 66 | 710-0751 | 1 | /P | Hex Wash. Hd. Scr. 1/4-20 x 518" Lg. Grade 5 |
| 67 | 710-0224 | 1 | S | Hex "AB" Tap Scr. #10 x .50" Lg. |
| 68 | 13720 | 1 | | Shroud Cover R.H. |
| 69 | 710-0157 | 1 | /P | Hex Scr. 5/16-24 x .75" Lg. |
| 70 | 736-0119 | 1 | S | L-Wash. 5116" Scr. |
| 71 | 13723 | 1 | | Shroud Support Brkt. |
| 72 | 13719 | 1 | | Shroud Cover L.H. |
| 73 | 13721 | 1 | | Shroud Outer L.H. |
| 74 | 731-0466 | 1 | | Spring Cover Tubing (PTO Clutch) |
| 75 | 13714 | 1 | | Shroud Inner Ass'y. L.H. |
| 76 | 13717 | 1 | | Shroud Inner Ass'y. R.H. |
| 77 | 725-0771 | 1 | S | Solenoid |
| 78 | 710-0289 | 1 | S | Hex Scr. 1/4-20 x 1/2" Lg. |
| 79 | 725-0459 | 1 | S | Circuit Breaker |
| 80 | 710-0351 | 1 | /P | Truss Mach. Scr. #10 x .50" Lg. |
| 81 | 725-0842 | 1 | | Safety Switch (PTO) |
| 82 | 736-0329 | 1 | S | L-Wash. 1/4" Scr. |
| | 751-0241 | 1 | | Muffler Ass'y. Comp. L.H. (Not Shown) |
| 83 | 741-0303 | 1 | /P | Ball Bearing |

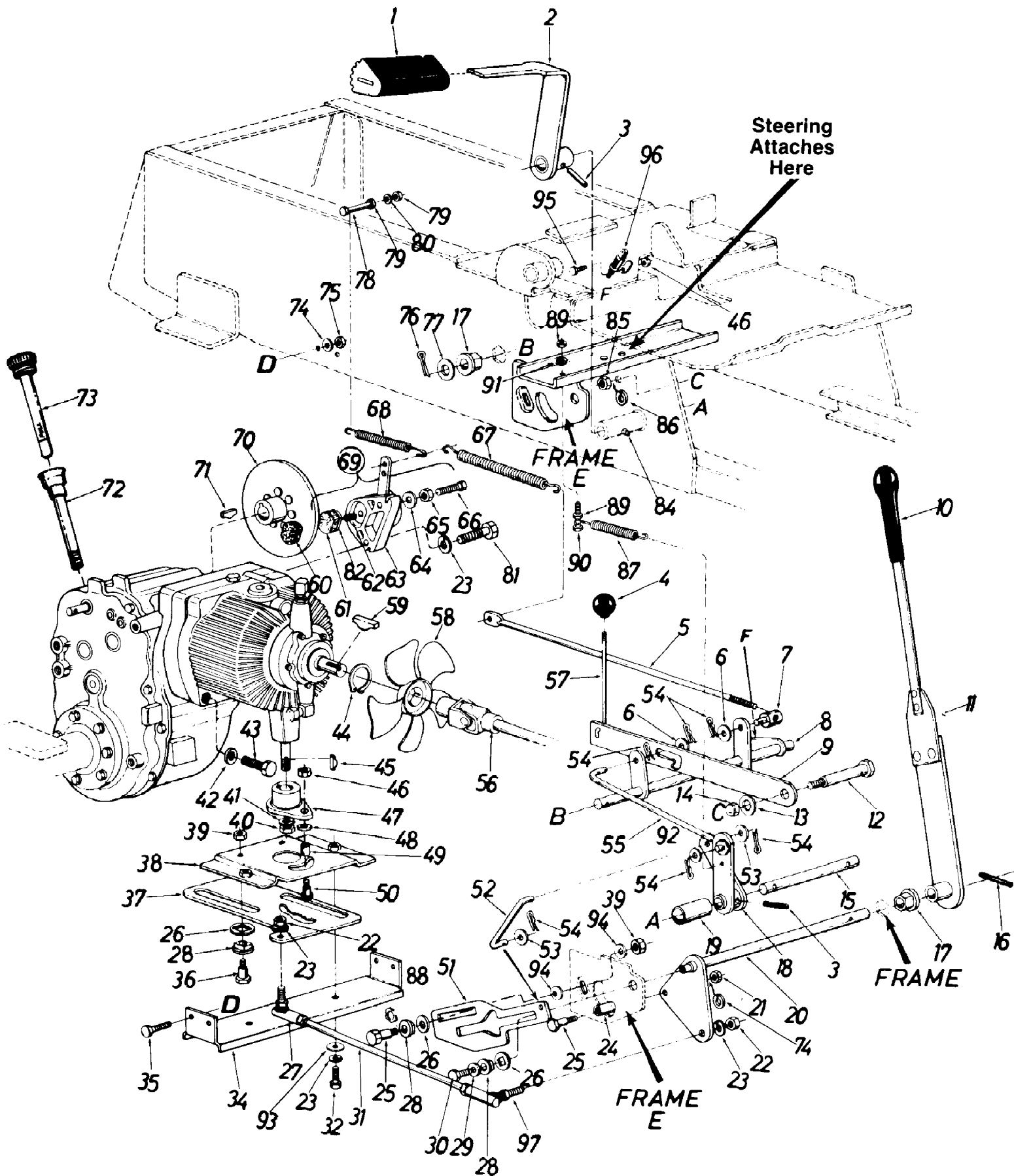
147-996-190 GT-1855 (1987)
M11 Hydrostatic Transmission



147-996-190 GT-1855 (1987)
M11 Hydrostatic Transmission

Page 10 of 25

| Ref # | Part Number | Qty | S/P/F | Description |
|-------|---------------|-----|-------|--|
| 1 | ET-990045-000 | 1 | /P | Charge Pump Kit |
| 2 | ET-092999-000 | 1 | S | Oil Seal |
| 3 | ET-008771-036 | 1 | | Square Cut Seal Ring .036 |
| 4 | ET-008771-038 | 1 | | Square Cut Seal Ring .038 |
| 5 | ET-095912-125 | 1 | | Socket Head Cap Screw 5/16-18 x 1.25" Long |
| 6 | ET-990114-000 | 1 | | Cover Subassembly |
| 7 | ET-101597-000 | 1 | | Button |
| 8 | ET-090880-000 | 1 | | Drive Pin |
| 9 | ET-024129-000 | 1 | /P | Input Shaft Subassembly |
| 10 | ET-008771-166 | 1 | /P | Square Cut Seal Ring .166 |
| 11 | ET-101470-000 | 1 | | Pump Rotor Ball Subassembly |
| 12 | ET-101904-000 | 1 | | Cam Ring Subassembly |
| 13 | ET-101571-000 | 1 | | Pintle Subassembly |
| 14 | ET-097841-000 | 1 | | Cam Ring Insert |
| 15 | ET-990136-000 | 1 | | Control Shaft Kit |
| 16 | ET-101853-000 | 1 | | Motor Rotor Ball Subassembly |
| 17 | ET-024608-000 | 1 | | Output Shaft Subassembly |
| 18 | ET-040525-000 | 1 | | Motor Race |
| 19 | ET-025090-006 | 1 | | "O"-Ring Plug Subassembly |
| 20 | ET-097879-000 | 1 | | Ball Bearing Output) |
| 21 | ET-091231-000 | 1 | | Retaining Ring |
| 22 | ET-102583-000 | 1 | | Body Subassembly |



147-996-190 GT-1855 (1987)
Speed Selector Assembly

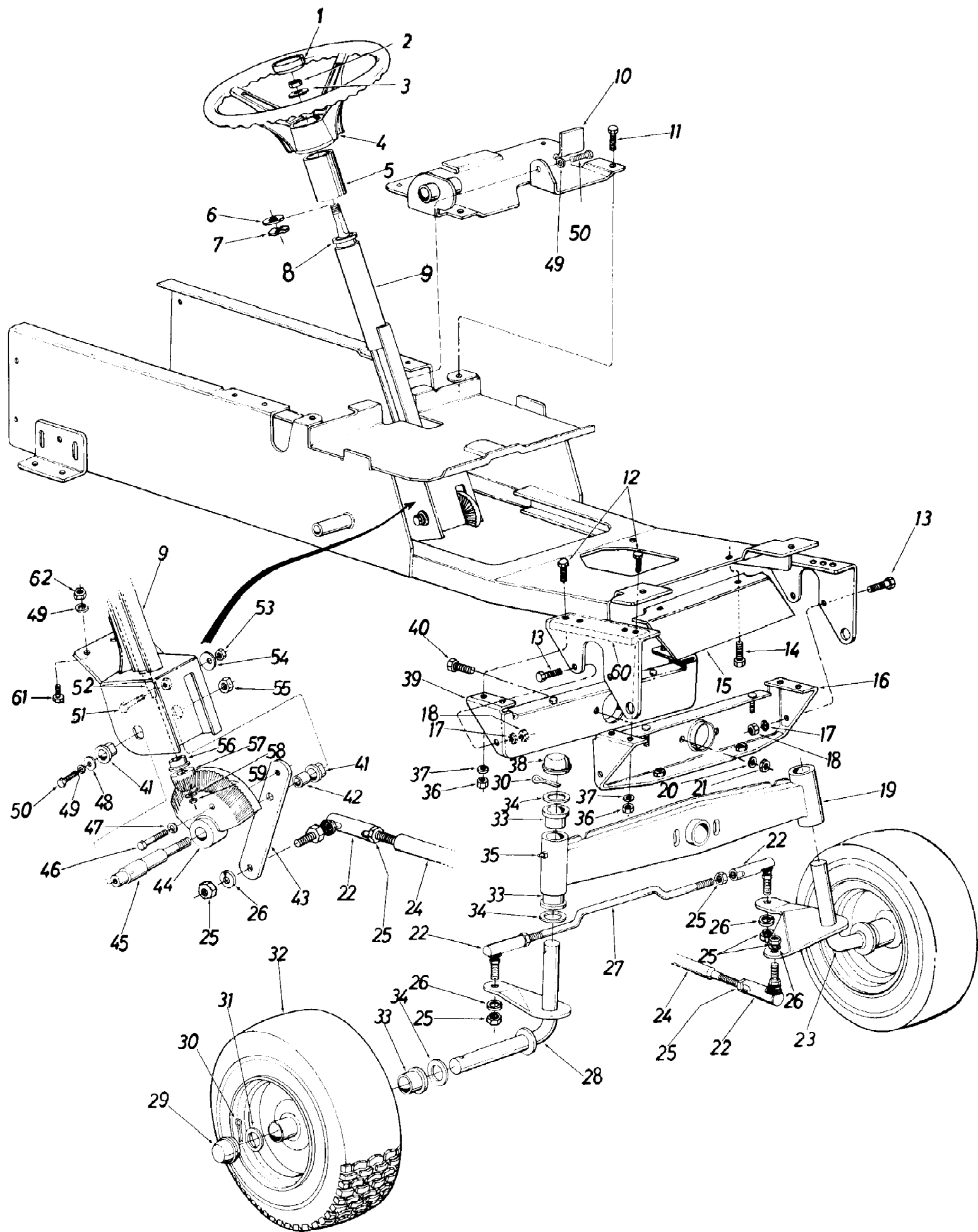
Page 12 of 25

| Ref # | Part Number | Qty | S/P/F | Description |
|-------|-------------|-----|-------|---|
| 1 | 735-0189 | 1 | | Foot Pad |
| 2 | 13080 | 1 | | Foot Pedal Brkt. Ass'y. R. H . |
| 3 | 715-0114 | 1 | S | Spring Pin Spiral 1/4" Dia. x 1.50" Lg.* |
| 4 | 720-0166 | 1 | /P | Ball Knob Brake |
| 5 | 747-0283 | 1 | | Brake Rod |
| 6 | 736-0101 | 1 | S | FI-Wash. .375" I.D. x 1.00" O.D. x .030 |
| 7 | 711-0198 | 1 | S | Ferrule |
| 8 | 13548 | 1 | | Brake Transfer Shaft Ass'y. |
| 9 | 13523 | 1 | | Parking Brake Cam |
| 10 | 720-0143 | 1 | | Grip |
| 11 | 13787 | 1 | | Control Arm Ass y. Comp. |
| 12 | 738-0186 | 1 | | Shld Scr. .62 Dia. x 2.75" Lg. |
| 13 | 736-0187 | 1 | /P | FI-Wash. .460 I.D. x 1.24 0 O.D. x .06 |
| 14 | 712-0222 | 1 | | Push Speed Nut for .625 Dia. Shaft |
| 15 | 738-0402 | 1 | | Brake Pivot Shaft |
| 16 | 715-0114 | 1 | S | Spring Pin Spiral 1/4" Dia. x 1.50" Lg.* |
| 17 | 741-0225 | 1 | S | Hex Flange Brg. Plastic .62 I.D. |
| 18 | 13505 | 1 | | Brake Hub Ass'y. |
| 19 | 750-0181 | 1 | | Spacer |
| 20 | 13565 | 1 | | Control Handle Ass'y. |
| 21 | 712-0158 | 1 | S | Hex Cent. L-Nut 5/16-18 Thd. |
| 22 | 712-0241 | 1 | /P | Hex Nut 3/8-24 Thd.* |
| 23 | 736-0169 | 1 | S | L-Wash. 3/8" Scr.* |
| 24 | 748-0270 | 1 | | Spacer |
| 25 | 738-0138 | 1 | S | Shoulder Bolt |
| 26 | 736-0303 | 1 | | FI-Wash. .63 Sq. Hole x 1.25" O.D. |
| 27 | 723-0351 | 1 | S | Ball Joint Ass'y. 3/8-24 0 Thd. L. H . |
| 28 | 748-0180 | 1 | | Pivot Slide |
| 29 | 736-0159 | 1 | S | FI-Wash. .312 I.D. x .88 O.D. |
| 30 | 710-0643 | 1 | /P | Hex Ins. Scr. 5/16-18 x 1.00" Lg. |
| 31 | 747-0365 | 1 | S | Tie Rod |
| 32 | 710-0216 | 1 | /P | Hex Scr. 3/8-16 x .75" Lg.* |
| 34 | 13562 | 1 | | Support Channel |
| 35 | 710-0118 | 1 | S | Hex Scr. 5/16-18 x .75" Lg.* |
| 36 | 738-0141 | 1 | S | Shld. Scr. .437" Dia. x .350 |
| 37 | 13555 | 1 | | Cam Plate |
| 38 | 13557 | 1 | | Slide Mtg. Plate Ass'y. |
| 39 | 712-0158 | 1 | S | Hex Cent. L-Nut 5/16-18 Thd. |
| 40 | 712-0206 | 1 | S | Hex Nut 1/2-13 Thd.* |
| 41 | 736-0921 | 1 | S | L-Wash. 1/2" Scr.* |
| 42 | 736-0300 | 1 | S | FI-Wash. .385 I.D. x .87 0 O.D. x .060 |
| 43 | 710-0492 | 1 | | Socket Hd. Scr. 3/8-16 x 2.75" Lg. |
| 44 | 716-0123 | 1 | | Snap Ring |
| 45 | 714-0131 | 1 | | #5 Hi-Pro Key 1/8" x 5/8" Dia. |
| 46 | 712-0107 | 1 | S | Hex Cent. L-Nut 1/4-20 Thd. |
| 47 | 13559 | 1 | | Pintle Plate Ass'y. |
| 48 | 736-0142 | 1 | S | FI-Wash. .281 I.D. x .50 O.D. x .063 |
| 49 | 741-0154 | 1 | | Needle Brg. .31" I.D. x .50" O.D. x .437" Lg. |
| 50 | 710-0491 | 1 | /P | Shld. Scr. .31 Dia. x .500 0 (Socket Head) |
| 51 | 13556 | 1 | S | Neutral Control Slide |
| 52 | 747-0287 | 1 | | Neutral Control Rod |
| 53 | 736-0264 | 1 | S | FI-Wash. .312 I.D. x .630 0 O.D. x .063 |
| 54 | 714-0104 | | | |

147-996-190 GT-1855 (1987)
Speed Selector Assembly

Page 13 of 25

| Ref # | Part Number | Qty | S/P/F | Description |
|-------|-------------|-----|-------|---|
| 55 | 13702 | 1 | | Brake Link Rod Ass'y. |
| 56 | 717-0402 | 1 | | Universal Joint Ass'y. Comp. |
| 57 | 747-0282 | 1 | | Parking Brake Link |
| 58 | 731-0317 | 1 | S | Fan Ass'y. |
| 59 | 714-0388 | 1 | S | #61 Hi-Pro Key 3/16 x 5/8" Dia. |
| 60 | HU-24-13772 | 1 | S | Lining Brake |
| 61 | HU-24-13772 | 1 | S | Lining Brake |
| 62 | HU-39-13774 | 1 | | Actuator Pin |
| 63 | HU-39-14232 | 1 | | Housing with Lever and Pin |
| 64 | HU-20-9764 | 1 | | Washer |
| 65 | HU-37-13818 | 1 | S | Nut |
| 66 | HU-39-13775 | 1 | S | Adjustment Pin |
| 67 | 732-0260 | 1 | S | Extension Spring .59 O.D. x 6.5" Lg. |
| 68 | 732-0157 | 1 | | Extension Spring (Brake Return) |
| 69 | 761-0170 | 1 | | Disc Brake Ass'y. Comp. |
| 70 | 761-0142 | 1 | /P | Brake Disc Ass'y. |
| 71 | 714-0137 | 1 | /P | Hi-Pro Key 3/16 x 3/4" Dia. |
| 72 | 751-0239 | 1 | | Dipstick Tube Ass'y. |
| 73 | 751-0240 | 1 | S | Dipstick Ass'y. |
| 74 | 736-0119 | 1 | S | L-Wash. 5/16" Scr. |
| 75 | 712-0267 | 1 | S | Hex Nut 5/16-18 Thd. |
| 76 | 714-0115 | 1 | S | Cotter Pin 1/8" Dia. x 1.00" Lg. |
| 77 | 736-0162 | 1 | /P | FI-Wash. .635" I.D. x 1.00 O.D. x .120 Thk. |
| 78 | 710-0102 | 1 | S | Hex Scr. 1/4-20 x 2.50" Lg. |
| 79 | 712-0287 | 1 | S | Hex Nut 1/4-20 Thd. |
| 80 | 736-0329 | 1 | S | L-Wash. 1/4" Scr. |
| 81 | 710-0342 | 1 | S | Hex Scr. 3/8-16 x 1.25" Lg. |
| 82 | HU-25-13808 | 1 | S | Backing Plate |
| 84 | 737-0146 | 1 | S | Grease Fitting |
| 85 | 712-0240 | 1 | S | Hex Nut 7/16-20 Thd., |
| 86 | 736-0171 | 1 | S | L-Wash. 7/16" Scr. |
| 87 | 732-0121 | 1 | S | Extension Spring |
| 88 | 736-0141 | 1 | S | Wave Wash. |
| 89 | 712-0287 | 1 | S | Hex Nut 1/4-20 Thd. |
| 90 | 710-0106 | 1 | /P | Hex Scr. 1/4-20 x 1.25" Lg. |
| 91 | 736-0329 | 1 | S | L-Wash. 1/4" Scr. |
| 92 | 736-0101 | 1 | S | FI-Wash. |
| 93 | 736-0427 | 1 | S | FI-Wash. .38 I.D. x 1.25 O.D. |
| 94 | 736-0242 | 1 | /P | Bell-Wash. |
| 95 | 710-0289 | 1 | S | Hex Scr. 1/4-20 x 1/2" Lg. |
| 96 | 725-0577 | 1 | | Safety Switch (Clutch) |
| 97 | 723-0156 | 1 | S | Ball Joint Ass'y. 3/8-24 Thd . R . H . |



147-996-190 GT-1855 (1987)
Steering Assembly

Page 15 of 25

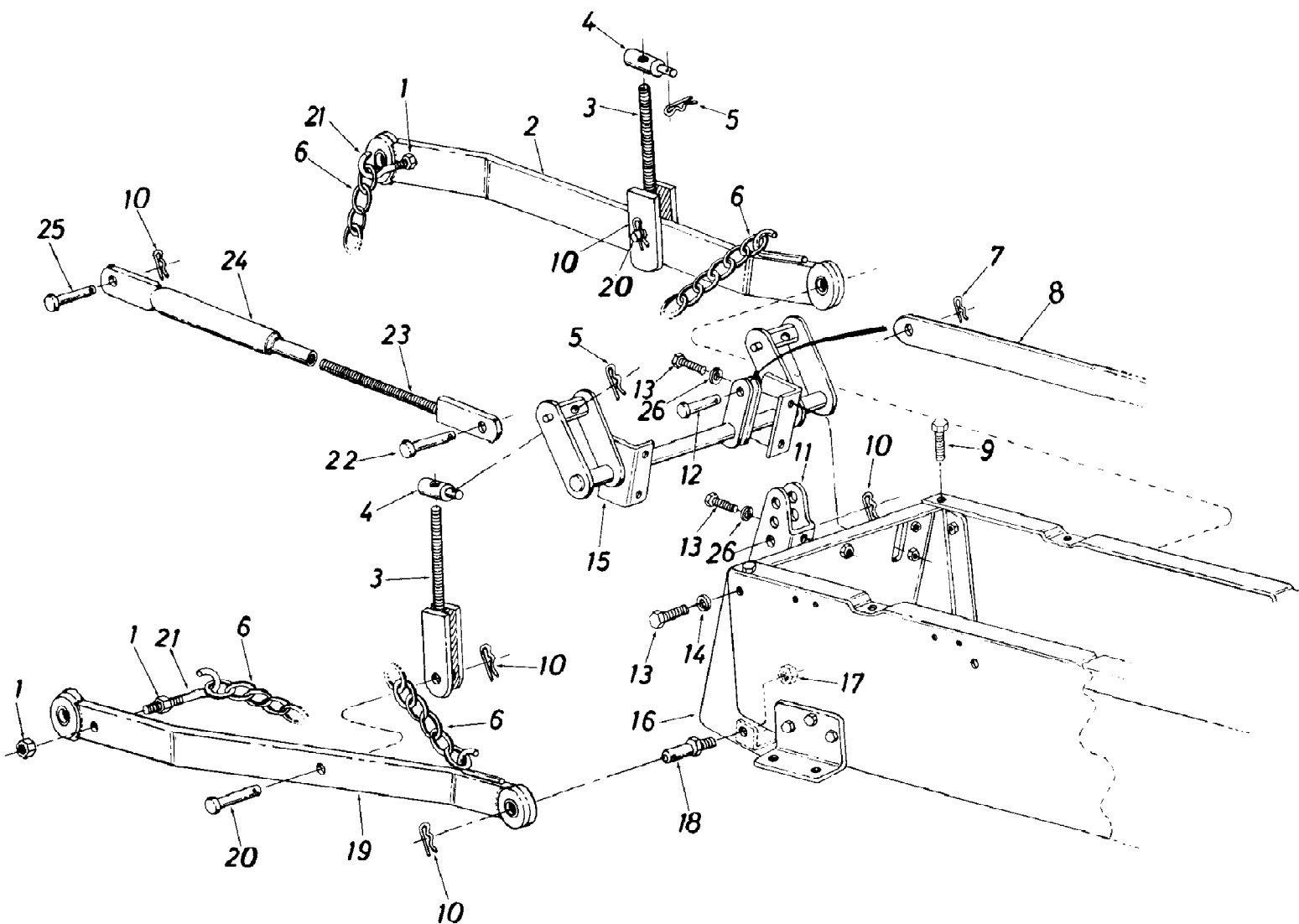
| Ref # | Part Number | Qty | S/P/F | Description |
|-------|-------------|-----|-------|--|
| 1 | 731-0220 | 1 | S | Steering Wheel Cap |
| 2 | 712-0158 | 1 | S | Hex Cent. L-Nut 5/16-18 Thd. |
| 3 | 736-0242 | 1 | /P | Bell-Wash. |
| 4 | 731-0356 | 1 | | Steering Wheel |
| 5 | 750-0362 | 1 | | Steering Tube Outer |
| 6 | 736-0296 | 1 | | Double "D" FI-Wash. |
| 7 | 736-0174 | 1 | /P | Wave Wash. .660 I.D. x .88 0 O.D. |
| 8 | 741-0138 | 1 | | Ball Brg. .63 I.D. x 1.38 O.D. |
| 9 | 13515 | 1 | S | Steering Column Ass'y. |
| 10 | 13586 | 1 | S | Dash Panel Base Plate Ass'y. |
| 11 | 710-0623 | 1 | /P | Hex Self-Tap Scr. 3/8-16 x .75" Lg. |
| 12 | 710-0344 | 1 | /P | Hex Scr. 3/8-16 x 1.50" Lg.* |
| 13 | 710-0253 | 1 | S | Hex Scr. 3/8-16 x 1.00" Lg. |
| 14 | 710-0502 | 1 | S | Hex Wash. S.F. Tap Scr. 3/8-16 x 1.25" Lg. |
| 15 | 13547 | 1 | | Dust Shield |
| 16 | 13032 | 1 | | Front Pivot Brkt. Ass'y. |
| 17 | 736-0169 | 1 | S | L-Wash. 3/8" Scr. |
| 18 | 712-0798 | 1 | /P | Hex Nut 3/8-16 Thd. |
| 19 | 13008 | 1 | | Pivot Bar Ass'y. |
| 20 | 736-0219 | 1 | S | Bell-Wash. 3/8" Scr. |
| 21 | 712-0375 | 1 | /P | Hex Cent. L-Nut 3/8-16 Thd. |
| 22 | 723-0179 | 1 | S | Drag Link End |
| 23 | 13001 | 1 | | Axle Ass'y. L.H. |
| 24 | 747-0294 | 1 | | Drag Link |
| 25 | 712-0922 | 1 | /P | Hex Nut 1/2-20 Thd. |
| 26 | 736-0921 | 1 | S | L-Wash. 1/2" Scr. |
| 27 | 747-0279 | 1 | | Tie Rod |
| 28 | 13002 | 1 | | Axle Ass'y. R.H. |
| 29 | 731-0556 | 1 | | Dust Cover |
| 30 | 714-0142 | 1 | /P | Cotter Pin 3/16" Dia. x 1.50" Lg. |
| 31 | 736-0259 | 1 | S | FI-Wash. 1.00" I.D. x 1.62" O.D. |
| 32 | 734-1221 | 1 | | Front Wheel Ass'y. Comp. |
| | 734-0787 | 1 | | Front Wheel Rim Only |
| | 734-0294 | 1 | /P | Front Wheel Tire Only |
| | 734-0255 | 1 | S | Air Valve |
| 33 | 731-0374 | 1 | S | Flange Brg. 1.00" I.D. |
| 34 | 736-0259 | 1 | S | FI-Wash. 1.00" I.D. x 1.62" O.D. |
| 35 | 737-0146 | 1 | S | Grease Fitting |
| 36 | 712-0798 | 1 | /P | Hex Nut 3/8-16 Thd.* |
| 37 | 736-0169 | 1 | S | L-Wash. 3/8" Scr.* |
| 38 | 731-0349 | 1 | S | Dust Cover |
| 39 | | 1 | | See Ref. No. 16 |
| 40 | 710-0937 | 1 | S | Hex Scr. 3/8-16 x 2.50" Lg.* |
| 41 | 741-0199 | 1 | S | Flange Brg. w/Flats .753 I.D. |
| 42 | 750-0333 | 1 | | Steering Gear Shaft Spacer |
| 43 | 13132 | 1 | | Steering Arm |
| 44 | 748-0238 | 1 | S | Bevel Gear |
| 45 | 738-0342 | 1 | S | Steering Gear Shaft |
| 46 | 710-0344 | 1 | /P | Hex Scr. 3/8-16 x 1.50" Lg.* |
| 47 | 736-0169 | 1 | S | L-Wash. 3/8" Scr.* |
| 48 | 736-0133 | 1 | S | FI-Wash. .406 I.D. x 1.25" O.D. |
| 49 | 736-0169 | 1 | S | L-Wash. 3/8" Scr.* |
| 50 | 710-0216 | 1 | | Hex Scr. 3/8-16 x .75" Lg.* |

147-996-190 GT-1855 (1987)
Steering Assembly

Page 16 of 25

| Ref # | Part Number | Qty | S/P/F | Description |
|-------|-------------|-----|-------|------------------------------------|
| 51 | 710-0670 | 1 | /P | Nylon Hex Scr. 3/8-16 x 1.25" Lg. |
| 52 | 738-0408 | 1 | | Steering Shaft |
| 53 | 712-0342 | 1 | /P | Hex Jam Nut 3/8-16 Thd. |
| 54 | 736-0219 | 1 | S | Bell-Wash. .400 I.D. x 1.13 0 O.D. |
| 55 | 712-0239 | 1 | S | Hex Ins. L-Nut 1/2-20 Thd. |
| 56 | 748-0227 | 1 | S | Hex Flange Brg. .630 I.D. |
| 57 | 748-0237 | 1 | S | Pinion Gear |
| 58 | 736-0264 | 1 | S | FI-Wash. 3/8" Dia. |
| 59 | 712-0237 | 1 | S | Hex Cent. L-Nut 5/16-24 Thd. |
| 60 | 13539 | 1 | | Spacer |
| 61 | 710-0152 | 1 | S | Hex Bolt 3/8-24 x 1.00" Lg.* |
| 62 | 712-0241 | 1 | /P | Hex Nut 3/8-24 Thd.* |

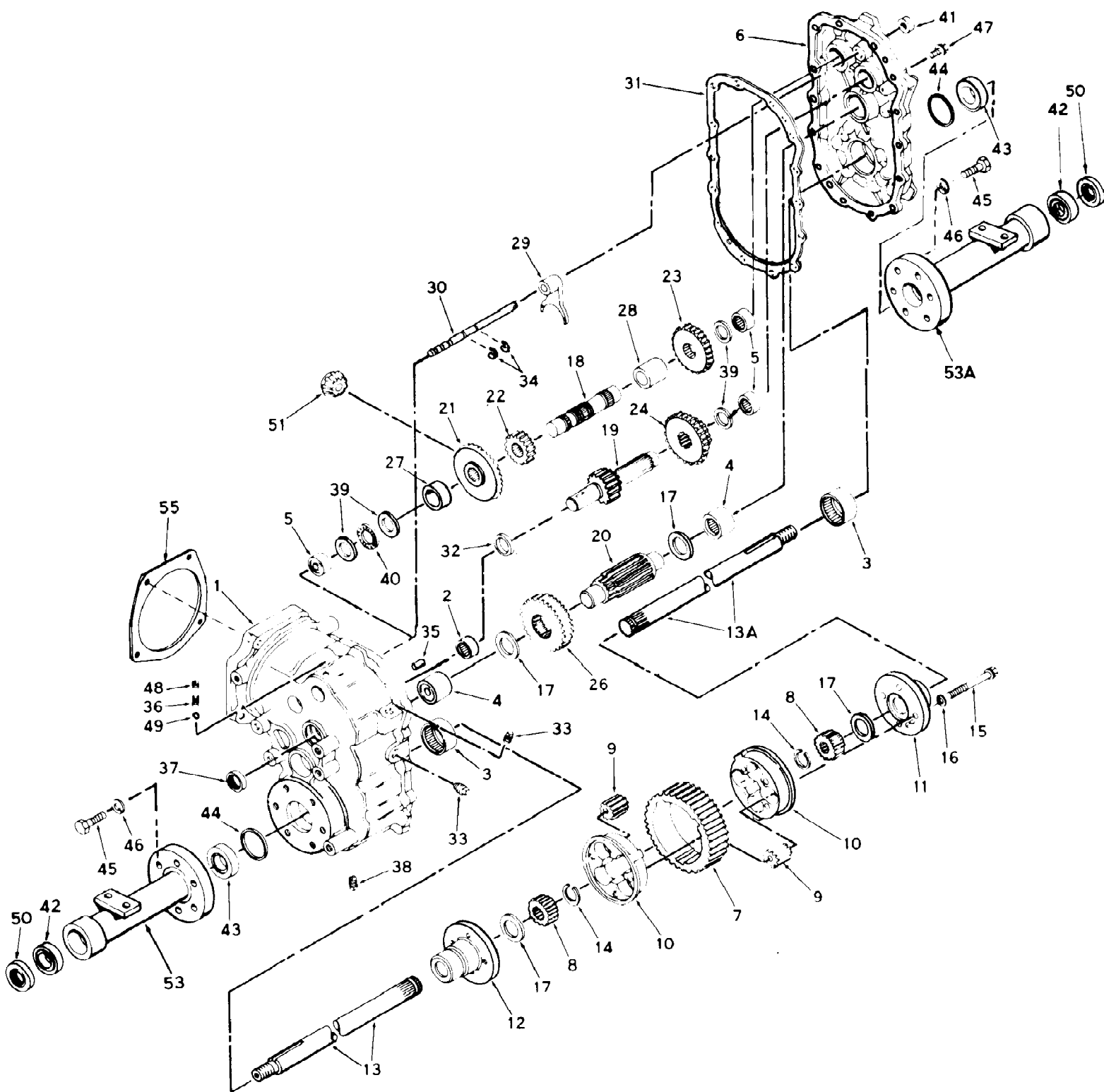
147-996-190 GT-1855 (1987)
Three Point Hitch



147-996-190 GT-1855 (1987)
Three Point Hitch

Page 18 of 25

| Ref # | Part Number | Qty | S/P/F | Description |
|-------|-------------|-----|-------|----------------------------------|
| 1 | 712-0290 | 1 | /P | Hex Cent. L-Nut 7/16-14 Thd. |
| 2 | 13130 | 1 | S | Draft Bar Ass'y. L.H. |
| 3 | 13138 | 1 | | Clevis Screw Ass'y. |
| 4 | 711-0649 | 1 | | Clevis Pin |
| 5 | 714-0147 | 1 | | Hitch Pin Clip |
| 6 | 713-0148 | 1 | | Chain 20 Links |
| 7 | 714-0470 | 1 | S | Cotter Pin 1/8" Dia. x 1.25" Lg. |
| 8 | 13709 | 1 | S | Push Bar Ass'y. |
| 9 | 710-0216 | 1 | /P | Hex Scr. 3/8-16 x .75" Lg. |
| 10 | 714-0117 | 1 | /P | Hairpin Cotter |
| 11 | 13026 | 1 | S | Hitch Brkt. |
| 12 | 711-0654 | 1 | /P | Clevis Pin |
| 13 | 710-0216 | 1 | /P | Hex Scr. 3/8-16 x .75" Lg. |
| 14 | 736-0217 | 1 | S | L-Wash. 3/8" Scr. H.D. |
| 15 | 13135 | 1 | S | Rear Lift Shaft Ass'y. |
| 16 | 13196 | 1 | S | Hitch Plate Ass'y. |
| 17 | 712-0923 | 1 | /P | Hex Cent. L-Nut 5/8-18 Thd. |
| 18 | 711-0497 | 1 | | Link Clevis Pin |
| 19 | 13129 | 1 | S | Draft Bar Ass'y. R.H. |
| 20 | 711-0225 | 1 | /P | Clevis Pin .63 Dia. x 1.66" Lg. |
| 21 | 711-0639 | 1 | | Hitch Chain Hook |
| 22 | 711-0299 | 1 | /P | Clevis Pin .63 Dia. x 2.4" Lg. |
| 23 | 711-0636 | 1 | | Clevis Screw |
| 24 | 749-0238 | 1 | S | Clevis Tubing |
| 25 | 711-0299 | 1 | /P | Clevis Pin .63 Dia. x 2.4" Lg. |
| 26 | 736-0217 | 1 | S | L-Wash. 3/8" Scr. H.D. |



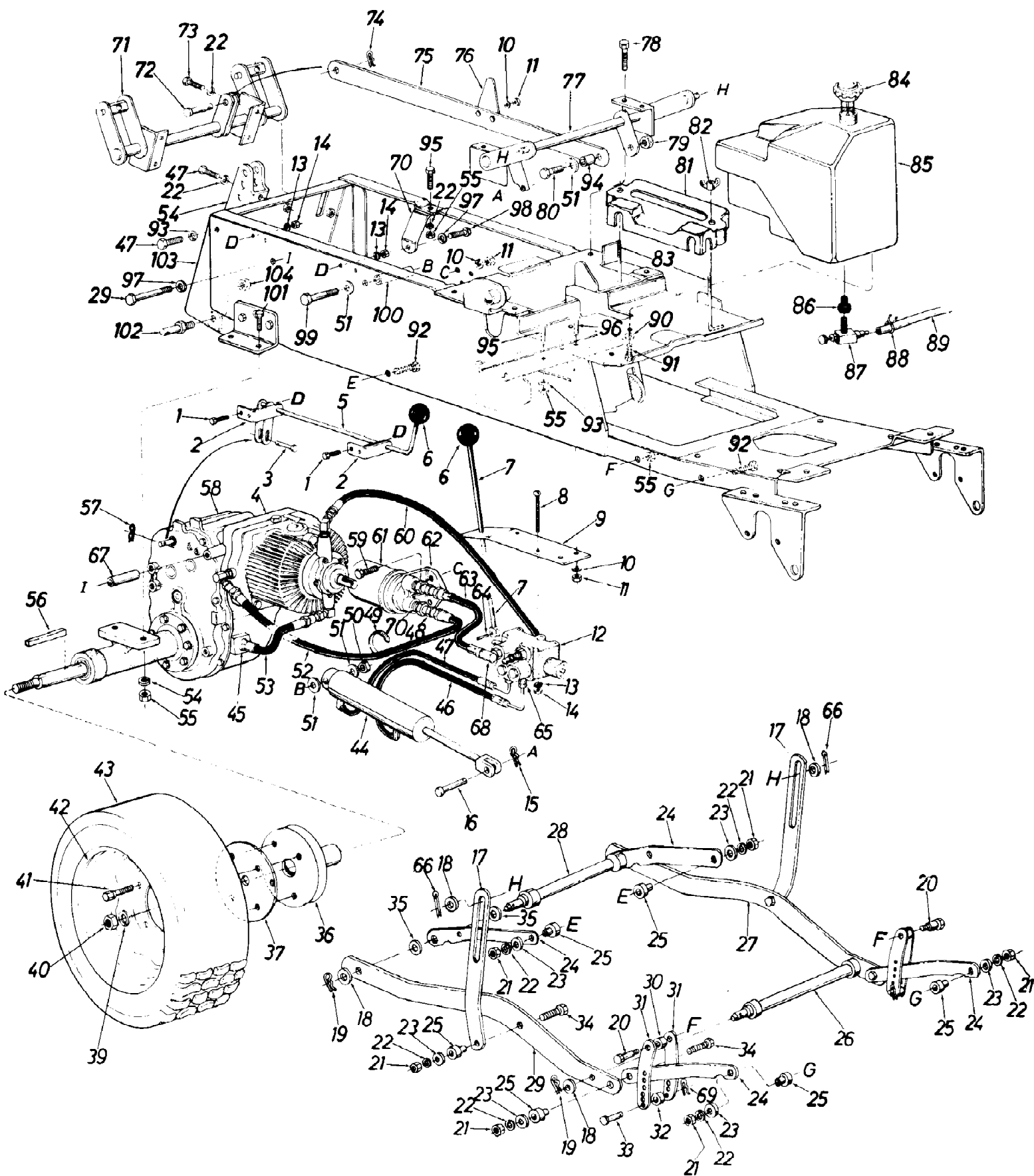
147-996-190 GT-1855 (1987)
Transaxle

Page 20 of 25

| Ref # | Part Number | Qty | S/P/F | Description |
|-------|-------------|-----|-------|--|
| 1 | PE-770060A | 1 | | Case Ass'y., Transaxle (Incl. Nos. 2 thru 5) |
| 2 | PE-780097 | 1 | | Bearing, Needle |
| 3 | PE-780098 | 1 | | Bearing, Needle |
| 4 | PE-780099 | 1 | | Bearing, Needle |
| 5 | PE-780100 | 1 | | Bearing, Needle |
| 6 | PE-772065 | 1 | | Cover Ass'y., Transaxle (Incl. 3, 4 & 5) |
| 7 | PE-778084 | 1 | | Gear, Ring |
| 8 | PE-778085 | 1 | | Gear, Side |
| 9 | PE-778086 | 1 | | Gear, Pinion |
| 10 | PE-786054 | 1 | | Core, Body |
| 11 | PE-774199 | 1 | | Carrier Differential |
| 12 | PE-774200 | 1 | | Carrler Differential |
| 13 | PE-774390 | 1 | | Axle, (18 17/64" Long) |
| 13A | PE-774389 | 1 | | Axle, (15 29/64" Long) |
| 14 | PE-792062 | 1 | | Ring, Snap |
| 15 | PE-792063 | 1 | | Screw, Hex Hd. Mach., 3/8-16 x 3-3/8 |
| 16 | PE-792011 | 1 | | Lock Washer, 3/8" |
| 17 | PE-780101 | 1 | | Washer, Thrust |
| 18 | PE-776118 | 1 | | Shaft, Counter |
| 19 | PE-776122 | 1 | | Shaft, Brake |
| 20 | PE-776120 | 1 | | Pinion, Output |
| 21 | PE-778087 | 1 | | Gear, Bevel (30 Teeth) |
| 22 | PE-778088 | 1 | | Gear, Spur (16 Teeth) |
| 23 | PE-778096 | 1 | | Gear, Spur (23 Teeth) |
| 24 | PE-778097 | 1 | | Gear, Cluster (20 and 27 Teeth) |
| 26 | PE-778098 | 1 | | Gear, Output (37 Teeth) |
| 27 | PE-786055 | 1 | | Spacer (55/64" Long) |
| 28 | PE-786056 | 1 | | Spacer (1 19/32" Long) |
| 29 | PE-784195 | 1 | | Fork, Shift |
| 30 | PE-784196 | 1 | | Rod, Shift |
| 31 | PE-788047 | 1 | | Gasket, Case and Cover |
| 32 | PE-780005 | 1 | | Spacer |
| 33 | PE-792010 | 1 | | Plug, Pipe |
| 34 | PE-792064 | 1 | | Ring, Snap |
| 35 | PE-786026 | 1 | | Pin, Dowel |
| 36 | PE-792003 | 1 | | Spring |
| 37 | PE-788008 | 1 | | Seal, Oil |
| 38 | PE-792019 | 1 | | Plug, Magnetic Drain |
| 39 | PE-780045 | 1 | | Washer, Thrust |
| 40 | PE-780012 | 1 | | Bearing, Thrust |
| 41 | PE-788034 | 1 | | Seal, Oil |
| 42 | PE-780103 | 1 | | Bearing, Ball |
| 43 | PE-780104 | 1 | | Bearing, Thrust |
| 44 | PE-788048 | 1 | | Seal, Square Cut |
| 45 | PE-792065 | 1 | | Screw, Hex Hd. Mach., 1/2-13 X 1-1/2 |
| 46 | PE-792066 | 1 | | Lock Washer, 1/2" |
| 47 | PE-792067 | 1 | | Screw, Hex Hd. Thd. Forming, 5/16-18 x 1 |
| 48 | PE-792068 | 1 | | Screw, Set 1/4-20 x 1/2 |
| 49 | PE-792004 | 1 | | Ball Steel |
| 50 | PE-788049 | 1 | | Seai, Oil |
| 51 | PE-778093A | 1 | | Pinion, Bevel |
| 53 | PE-782061 | 1 | | Housing, Axle (9 1/4" Long) |
| 53A | PE-782060 | 1 | | Housing, Axle (7 5/16" Long) |

147-996-190 GT-1855 (1987)
Transaxle

| Ref # | Part Number | Qty | S/P/F | Description |
|-------|-------------|-----|-------|-------------|
| 55 | PE-788050 | 1 | | Gasket |



147-996-190 GT-1855 (1987)
Transaxle Mounting Assembly

Page 23 of 25

| Ref # | Part Number | Qty | S/P/F | Description |
|-------|-------------|-----|-------|--|
| 1 | 710-0237 | 1 | /P | Hex Bolt 1/4-20 x .75" Lg. |
| 2 | 13524 | 1 | S | Hi-Lo Speed Control Brkt. |
| 3 | 711-0684 | 1 | | Clevis Pin 1/4" Dia. |
| 4 | 717-0344 | 1 | S | Hydrostatic Pump Comp. |
| 5 | 13532 | 1 | | Hi-Lo Control Handle Ass'y. |
| 6 | 720-0175 | 1 | S | Ball Knob |
| 7 | 13531 | 1 | | Cylinder Control Handle Ass'y. |
| 8 | 710-0105 | 1 | | Truss Mach. Scr. 1/4-20 x 3.00" Lg. |
| 9 | 13534 | 1 | | Valve Base Plate |
| 10 | 736-0119 | 1 | S | L-Wash. 5/16" I.D. |
| 11 | 712-0267 | 1 | S | Hex Nut 5/16-18 Thd. |
| 12 | 727-0200 | 1 | S | IValve Ass'y. Comp. |
| 13 | 736-0329 | 1 | S | L-Wash 1/4 " I . D . |
| 14 | 712-0287 | 1 | S | Hex Nut 1/4-20 Thd. |
| 15 | 714-0101 | 1 | S | Hairpin Cotter 1/2" Dia. |
| 16 | 711-0140 | 1 | S | Clevis Pin 1/2" Dia. |
| 17 | 13570 | 1 | S | Deck Link |
| 18 | 736-0156 | 1 | /P | FI-Wash. .62" I.D. x 1.12" |
| 19 | 714-0147 | 1 | | Hairpin Cotter |
| 20 | 738-0148 | 1 | S | Shld. Bolt .498 Dia. x .66 |
| 21 | 712-0241 | 1 | /P | Hex Nut 3/8-24 Thd. |
| 22 | 736-0217 | 1 | S | L-Wash. 3/8" I.D. H.D. |
| 23 | 736-0258 | 1 | /P | FI-Wash. .38 I.D. x 1.00" |
| 24 | 13151 | 1 | S | Lift Arm |
| 25 | 748-0241 | 1 | | Shoulder Spacer |
| 26 | 13729 | 1 | | Cross Shaft Ass'y. Front |
| 27 | 13139 | 1 | S | Lift Arm Link |
| 28 | 13728 | 1 | | Cross Shaft Ass'y. Rear |
| 29 | 710-0490 | 1 | | Hex Bolt 1/2-13 x 2.75" |
| 30 | 711-0146 | 1 | | Collar .50" I.D. x 1.0" |
| 31 | 13545 | 1 | S | Index Brkt. |
| 32 | 711-0242 | 1 | S | Spacer .38" I.D. x 1.0" O.D. |
| 33 | 711-0173 | 1 | /P | Clevis Pin 3/8" Dia. |
| 34 | 710-0459 | 1 | S | Hex Bolt 3/8-24 x 1.50" Lg. Grade 5 |
| 35 | 736-0167 | 1 | S | FI-Wash. .62" I.D. x 1.25" |
| 36 | 13572 | 1 | | Rear Wheel Hub Ass'y. |
| 37 | 13574 | 1 | S | Hub Plate |
| 39 | 1541-006 | 1 | S | L-Wash. 3/4" I.D. |
| 40 | 712-0288 | 1 | S | Hex Ins. L-Nut 3/4-16 Thd. |
| 41 | 710-0470 | 1 | S | Wheel Lug Bolt |
| 42 | 734-0935 | 1 | | Rear Wheel Rim Only |
| 43 | 734-0934 | 1 | | Rear Wheel Ass'y. Comp. 27 x 9.50 |
| | 734-0397 | 1 | | Tire Only 27 x 9.50 |
| | 734-0936 | 1 | | Air Valve |
| 44 | 727-0159 | 1 | | Hydraulic Cylinder |
| 45 | 727-0220 | 1 | | 7/8-14 UNF-2A 0 Thd. 5/8 Tube Fitting |
| 46 | 727-0219 | 1 | | Valve to Cylinder Hose 20" |
| 47 | 710-0216 | 1 | /P | Hex Bolt 3/8-16 x .75" Lg. Grade 5 |
| 48 | 727-0222 | 1 | | Bushing Reducer 1/2-14 NPTF to 3/8-18 NPTF |
| 49 | 726-0178 | 1 | S | Cable Tie |
| 50 | 712-0922 | 1 | /P | Hex Jam Nut 1/2-20 Thd. |

147-996-190 GT-1855 (1987)
Transaxle Mounting Assembly

Page 24 of 25

| Ref # | Part Number | Qty | S/P/F | Description |
|-------|-------------|-----|-------|-------------------------------------|
| 51 | 736-0179 | 1 | S | FI-Wash. .50" I.D. x 1.25 |
| 52 | 727-0217 | 1 | | Filter Return Hose 24" Lg. |
| 53 | 749-0309 | 1 | | Pump Tube Ass'y. |
| 54 | 13026 | 1 | S | Hitch Brkt. |
| 55 | 712-0798 | 1 | /P | Hex Nut 3/8-16 Thd. |
| 56 | 714-0114 | 1 | S | Sq. Key 1/4" X 1/4" X 2" |
| 57 | 714-0104 | 1 | S | Hairpin Cotter 1/4" Dia. |
| 58 | | 1 | | Peerless Transaxle (See Breakdown) |
| 59 | 710-0528 | 1 | /P | Hex Bolt 5/16-18 x 1.25" |
| 60 | 727-0167 | 1 | | Pump to Valve Hose |
| 61 | 727-0162 | 1 | | Fram Filter Ass'y. PH-16 |
| 62 | 727-0163 | 1 | | Filter Base |
| 63 | 727-0218 | 1 | | Valve to Filter Hose 8.38" |
| 64 | 715-0129 | 1 | | Spring Pin Spiral 1/8" Dia. |
| 65 | 727-0187 | 1 | | Flare Adapter |
| 66 | 714-0115 | 1 | S | Cotter Pin 1/8" Dia. x 1.0" |
| 67 | 750-0417 | 1 | | Spacer |
| 68 | 727-0175 | 1 | | Adapter 9/16-18 to 9/16-18 |
| 69 | 714-0145 | 1 | S | Hairpin Cotter |
| 70 | 13530 | 1 | | Transmission Brace |
| 71 | 13135 | 1 | S | Rear Lift Shaft Ass'y. |
| 72 | 711-0654 | 1 | /P | Clevis Pin |
| 73 | 710-0514 | 1 | /P | Hex Scr. 3/8-16 x 1.00" Lg. Grade 5 |
| 74 | 714-0470 | 1 | S | Cotter Pin 1/8" Dia. x 1.25" |
| 75 | 13709 | 1 | S | Push Bar Ass'y. |
| 76 | 13535 | 1 | | Position Indicator |
| 77 | 13501 | 1 | | Lift Shaft Ass'y. |
| 78 | 710-0649 | 1 | | Hex Self-Tap Scr. 3/8-24 x .88" Lg. |
| 79 | 712-0239 | 1 | S | Hex Cent. L-Nut 1/2-20 Thd. |
| 80 | 710-0504 | 1 | | Hex Scr. 1/2-20 X 1.25" Lg. |
| 81 | 731-0707 | 1 | | Battery Cover |
| 82 | 712-0113 | 1 | S | Wing Nut 1/4-20 Thd. |
| 83 | 711-0222 | 1 | S | Battery Hold Down Rods |
| 84 | 751-0226 | 1 | S | Gas Tank Cap |
| 85 | 751-0243 | 1 | | Gas Tank Ass'y. |
| 86 | 735-0149 | 1 | S | Bushing |
| 87 | 751-0171 | 1 | S | Fuel Shut-Off Valve with Screen |
| 88 | 726-0184 | 1 | | Gas Line Clamp 7/16" |
| 89 | 731-0470 | 1 | | Gas Line 30" Lg. |
| 90 | 736-0270 | 1 | /P | Bell-Wash. |
| 91 | 710-0289 | 1 | S | Hex Scr. 1/4-20 x .38" Lg. |
| 92 | 710-0459 | 1 | S | Hex Scr. 3/8-24 x 1.50" Lg. |
| 93 | 736-0169 | 1 | S | L-Wash. 3/8" Scr. |
| 94 | 750-0336 | 1 | S | Push Bar Sleeve |
| 95 | 710-0253 | 1 | S | Hex Scr. 3/8-16 x 1.00 Lg. Grade 5 |
| 96 | 710-0118 | 1 | S | Hex Scr. 5/16-18 x .75" Lg.* |
| 97 | 736-0921 | 1 | S | L-Wash. 1/2" Scr. |
| 98 | 710-0474 | 1 | /P | Hex Scr. 1/2-13 x 1.25" Lg. |
| 99 | 710-0515 | 1 | | Hex Scr. 1/2-20 x 3/2" Lg. Grade 5 |
| 100 | 750-0443 | 1 | | Spacer for Cylinder |
| 101 | 710-0347 | 1 | /P | Hex Scr. 3/8-16 x 1.75" Lg. |
| 102 | 711-0497 | 1 | | Link Clevis Pin |
| 103 | 13196 | 1 | | Spacer Ass'y. |

147-996-190 GT-1855 (1987)
Transaxle Mounting Assembly

| Ref # | Part Number | Qty | S/P/F | Description |
|-------|-------------|-----|-------|-----------------------------|
| 104 | 712-0923 | 1 | /P | Hex Cent. L-Nut 5/8-18 Thd. |
